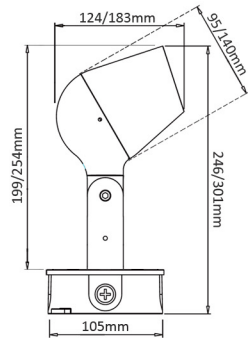
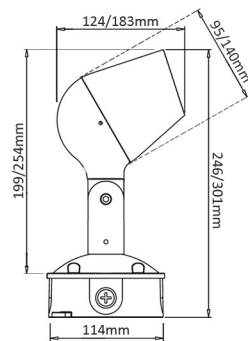




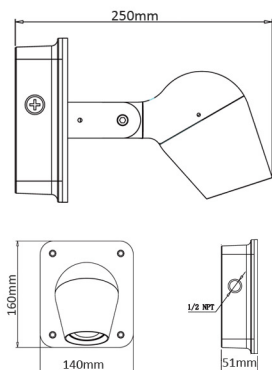
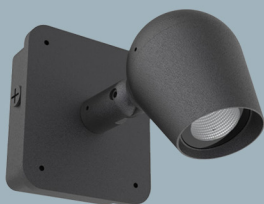
BR-SP600A



BR-SP600B



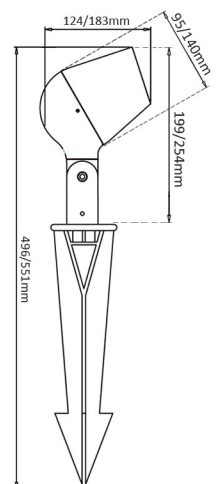
BR-WL600



DESCRIPTION:

External elevation or garden luminaire,
 Body made of die-cast aluminium with polyester powder coated finish in black, white, grey, silver and bronze.
 Epoxy cationic electro-coating, upon phospho-chromate treatment, Uv-stabilising primer.
 Tempered clear glass diffuser
 Anodized aluminium reflector, specular optics designed
 High corrosion resistant capability
 silicon rubber gasket for dust proof & waterproof
 High lumen LED chip Bridgelux and CREE
 Power supply: 220-240V / 12V / 24V - 50Hz
 - Heat resistant and solid conduct wiring
 - Ideal for external garden area lighting
 - European standard of EN 60598

BR-SP600C

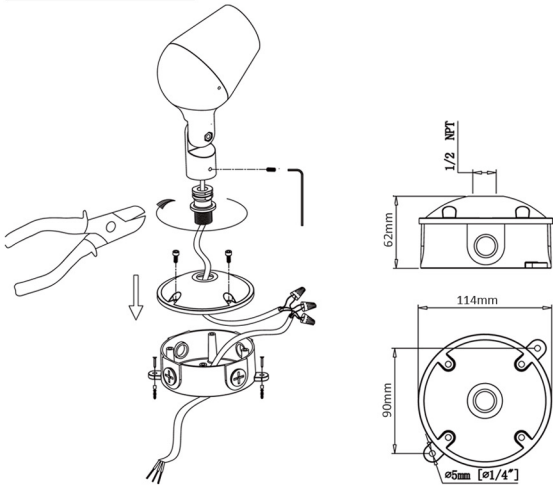


BROADWAY - UK Ltd.

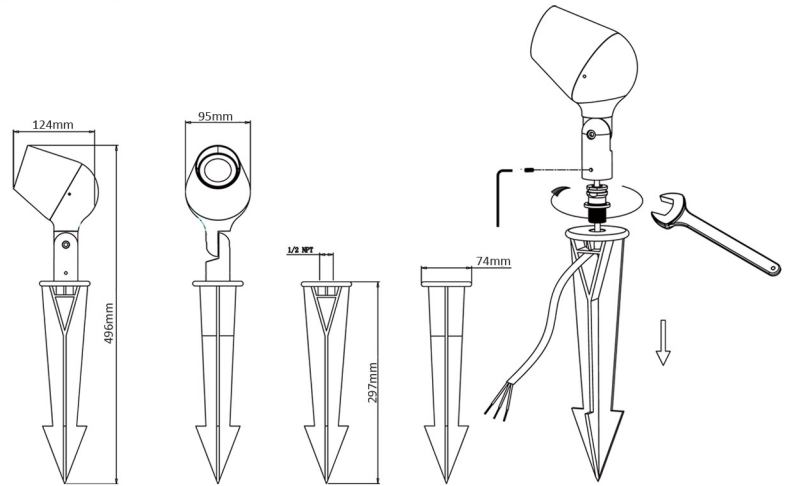
Item No:	BR-SP600A / BR-SP600B / BR-SP600C / BR-WL600 / BR-TR600					
LED Type	BRIDGELUX / CREE	BRIDGELUX / CREE	BRIDGELUX / CREE	BRIDGELUX / CREE	BRIDGELUX / CREE	BRIDGELUX / CREE
Rated Power	10W LED	15W LED	20W LED	30W LED	40W LED	60W LED
Luminaire Size	95x124x199mm	95x124x199mm	95x124x199mm	140x183x254mm	140x183x254mm	140x183x254mm
Voltage	AC220-240V / AC120-277V / DC12V / DC24V 50/60Hz					
Luminous Flux	100-110LM/W	100-110LM/W	100-110LM/W	100-110LM/W	100-110LM/W	100-110LM/W
Color Temperature	2700K - 6000K	2700K - 6000K	2700K - 6000K	2700K - 6000K	2700K - 6000K	2700K - 6000K
Power Factor	>0.9	>0.9	>0.9	>0.9	>0.9	>0.9
CRI	>90	>90	>90	>90	>90	>90
Beam Angle	15 - 18 / 19 - 23 / 27 - 36 / 55 - 60 / 40 x 73°					
Drive	Philips / Meanwell	Philips / Meanwell	Philips / Meanwell	Philips / Meanwell	Philips / Meanwell	Philips / Meanwell
Dimming	DALI & DSI Dimming 1-10V Dimming (On request)					
Life Time	50000Hrs					

Installation

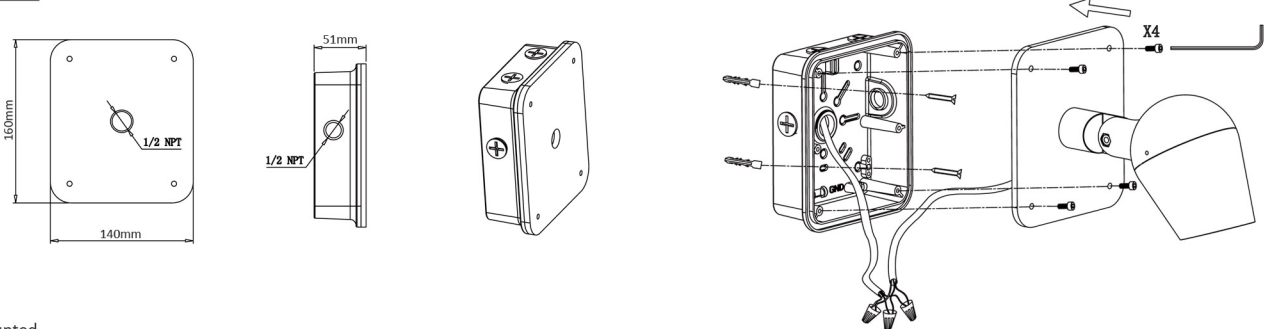
Surface / Base mounted



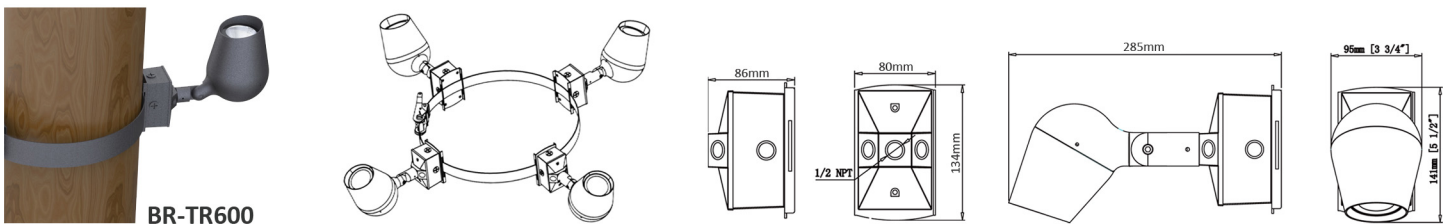
Spike mounted



Wall mounted



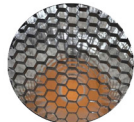
Tree mounted



Grid spread lens



Linear spread lens



honeycomb grid, Black



Black



Silver



Bronze Metallica



RAL Color