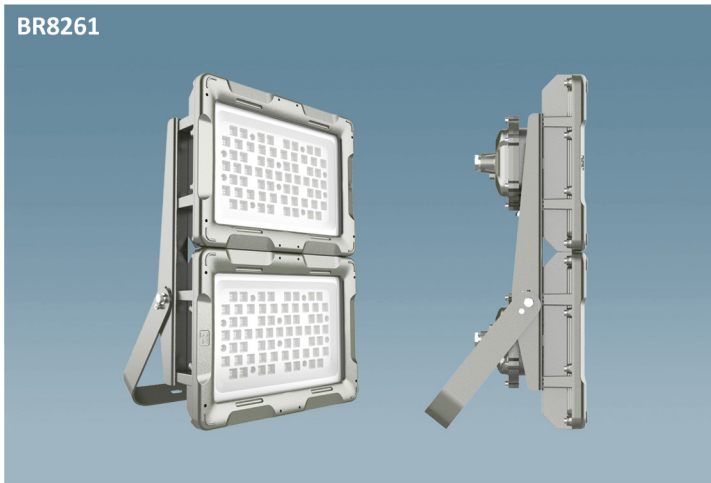




BR8261



DESCRIPTION:

Surface mounted ZONE-1 & ZONE-2 explosion proof floodlight luminaire

Body made of die-cast aluminium with polyester powder coated finish, epoxy cationic electro-coating, upon phospho-chromate treatment, Uv-stabilising primer.

Diffuser made of tempered glass, thermal shock and impact resistant.

Adjustable mounting bracket

Stainless steel cable gland

Anticorrosion grade WF2 (C5M)

High quality LED Chip CREE SMD3030

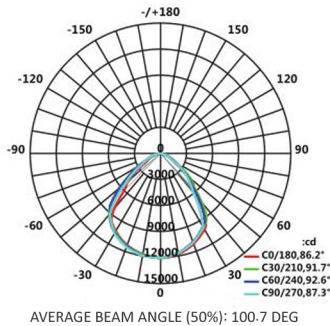
- Heat resistant and solid conduct wiring

- Ideal for Oil fields, Power plants, Military facilities, Tunnel, Wharf, Gas stations, IIA, IIB, explosive gas atmosphere.

- European standard of EN 60079

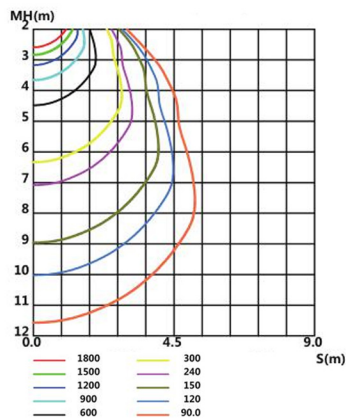
Photometric Data

Lighting Distribution



200W

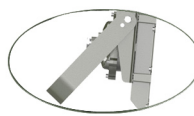
Illuminance figure



High quality LED



Heat dissipation housing



Adjustabl bracket



Heat sink

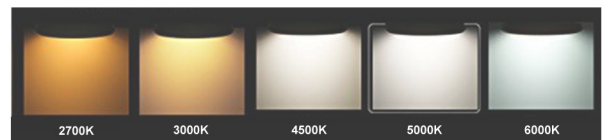


CREE LEDS SMD3030/5050

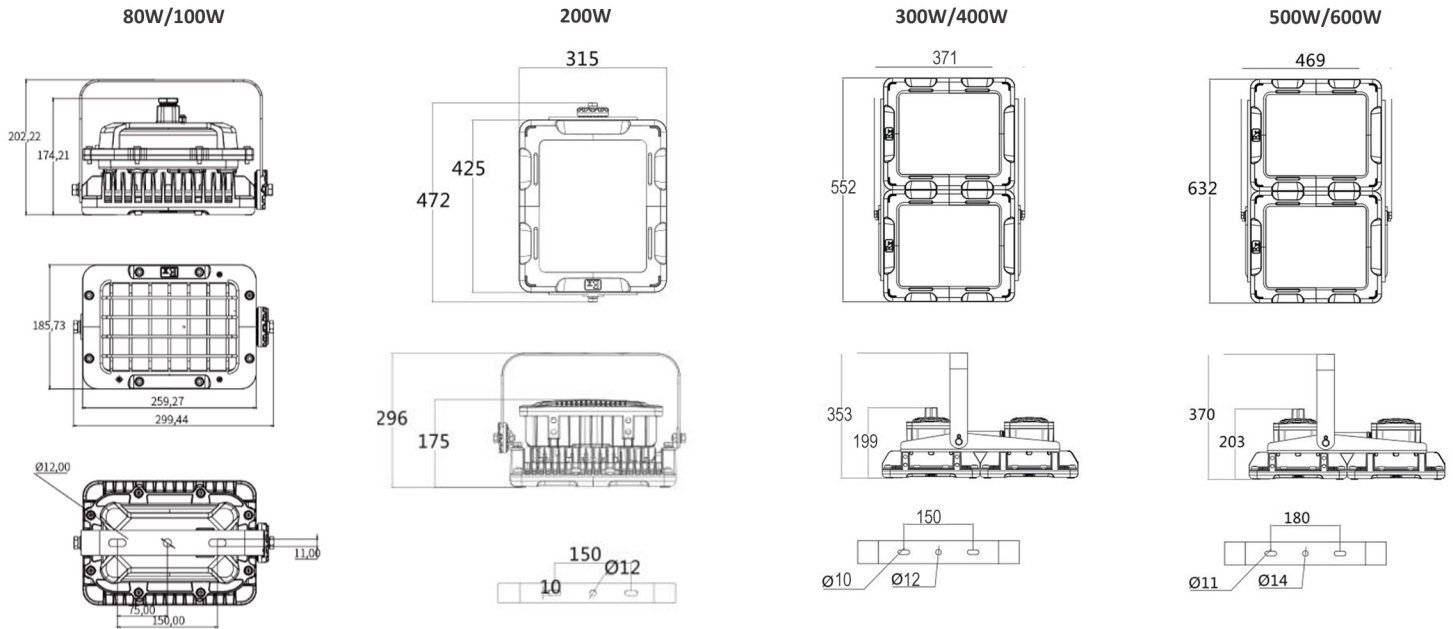
120lm/W high efficacy, illumination grade LED light source.

Class & Ratings

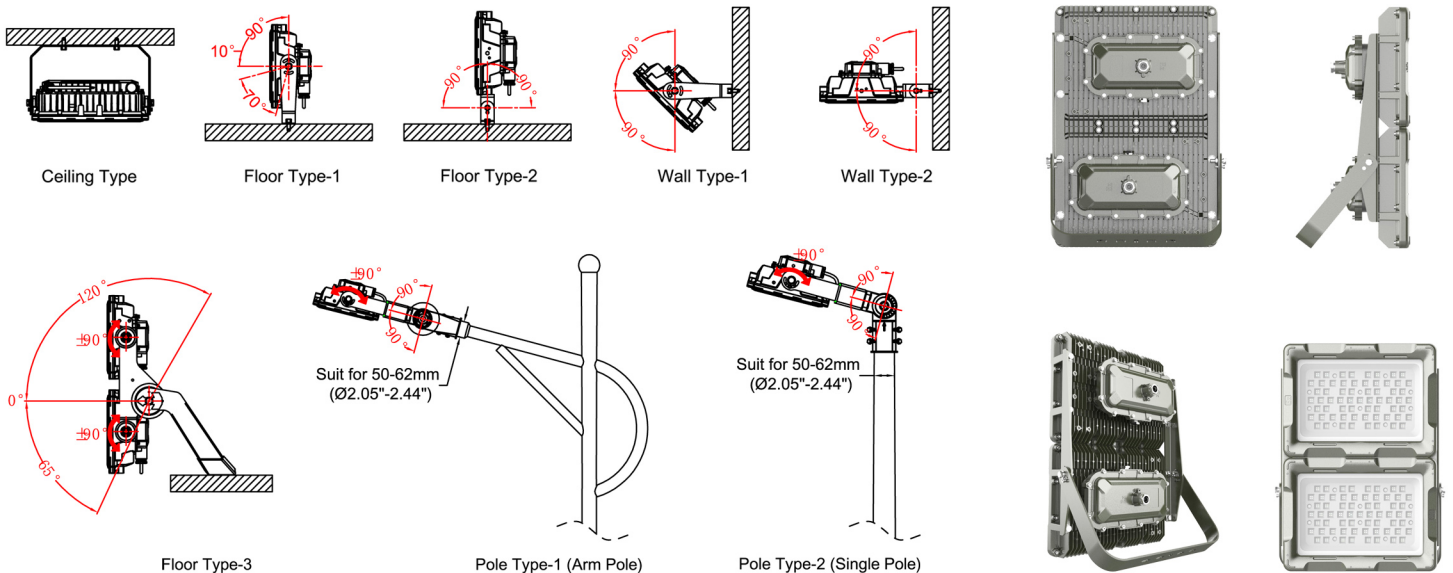
- Class I, Division 1, Groups C, D
- Class I, Division 2, Groups A, B, C, D
- Class II, Division 2, Groups E, F, G
- Class III
- Zone 1, Zone 2, Zone 21 Zone 22

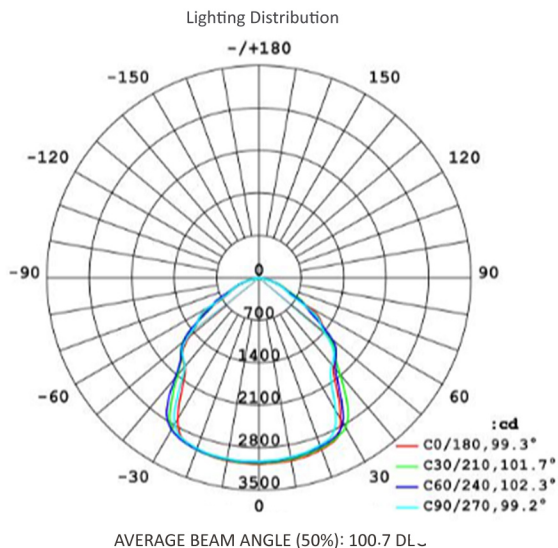


Product Code	BR8261-60	BR8261-80/100	BR8261-120	BR8261-150	BR8261-180	BR8261-200	BR8261-300/400	BR8261-500/600
Rated Power	60W LED	80W/100W LED	120W LED	150W LED	180W LED	200W LED	300W/400W LED	500W/600W LED
LED Type & Luminous Flux	CREE, SMD3030 120lm/W	CREE, SMD3030 120lm/W	CREE, SMD3030 120lm/W	CREE, SMD3030 120lm/W	CREE, SMD3030 120lm/W	CREE, SMD3030 120lm/W	CREE, SMD3030 120lm/W	CREE, SMD3030 120lm/W
Input Voltage	AC220-240V	AC220-240V	AC220-240V	AC220-240V	AC220-240V	AC220-240V	AC220-240V	AC220-240V
Frequency Range	50Hz-60Hz	50Hz-60Hz	50Hz-60Hz	50Hz-60Hz	50Hz-60Hz	50Hz-60Hz	50Hz-60Hz	50Hz-60Hz
Color Rendering Index	>80	>80	>80	>80	>80	>80	>80	>80
Power Factor	>0.95	>0.95	>0.95	>0.95	>0.95	>0.95	>0.95	>0.95
Color Temperature	3000K - 6500K	3000K - 6500K	3000K - 6500K	3000K - 6500K	3000K - 6500K	3000K - 6500K	3000K - 6500K	3000K - 6500K
Beam Angle	45 /60 /90°	45 /60 /90°	45 /60 /90°	45 /60 /90°	45 /60 /90°	45 /60 /90°	45 /60 /90°	45 /60 /90°
Operating Temperature	(-)30°C ~ (+)50°C	(-)30°C ~ (+)50°C	(-)30°C ~ (+)50°C	(-)30°C ~ (+)50°C	(-)30°C ~ (+)50°C	(-)30°C ~ (+)50°C	(-)30°C ~ (+)50°C	(-)30°C ~ (+)50°C
Working Temperature	(-)30°C ~ (+)50°C	(-)30°C ~ (+)50°C	(-)30°C ~ (+)50°C	(-)30°C ~ (+)50°C	(-)30°C ~ (+)50°C	(-)30°C ~ (+)50°C	(-)30°C ~ (+)50°C	(-)30°C ~ (+)50°C
Size	259x186x174mm	259x186x174mm	259x186x174mm	425x315x175mm	425x315x175mm	425x315x175mm	552x371x199mm	632x469x203mm
Protection Grade	IP66	IP66	IP66	IP66	IP66	IP66	IP66	IP66
Life Span	100000Hrs							

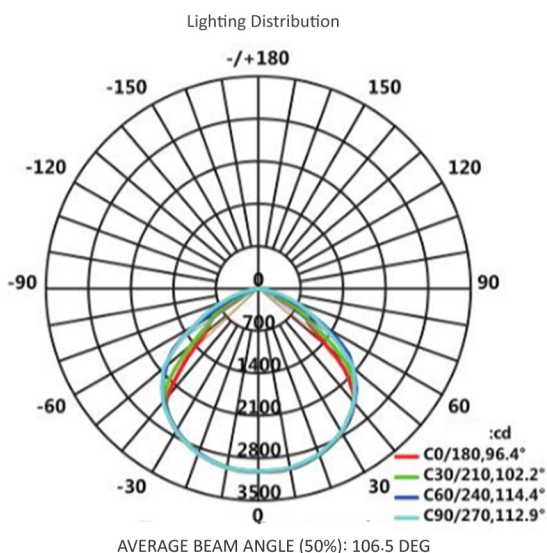
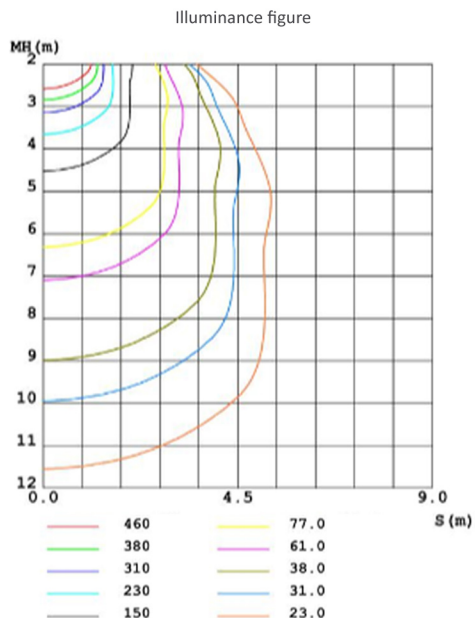


Installation

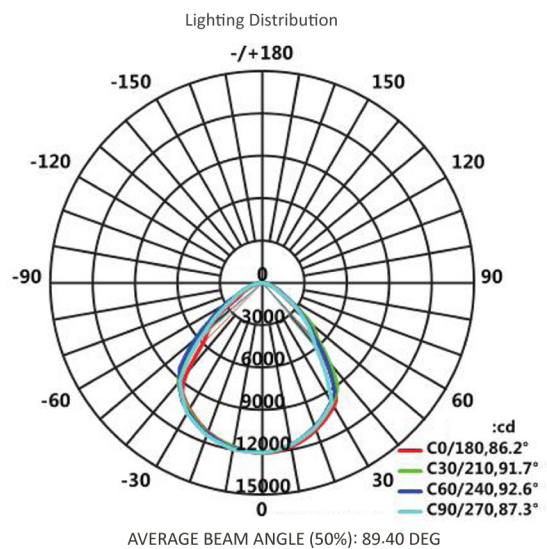
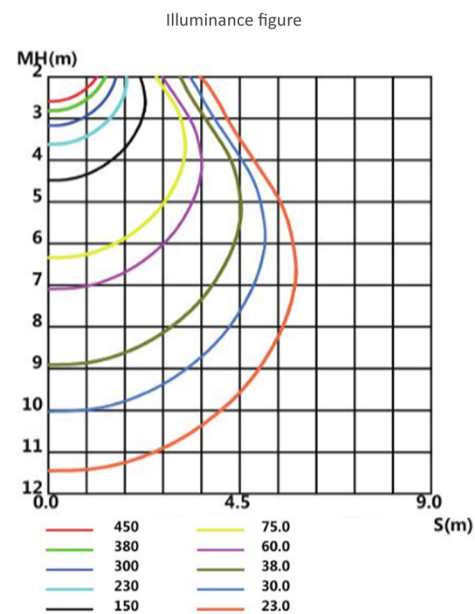




80W/100W



300W/400W



500W/600W

