

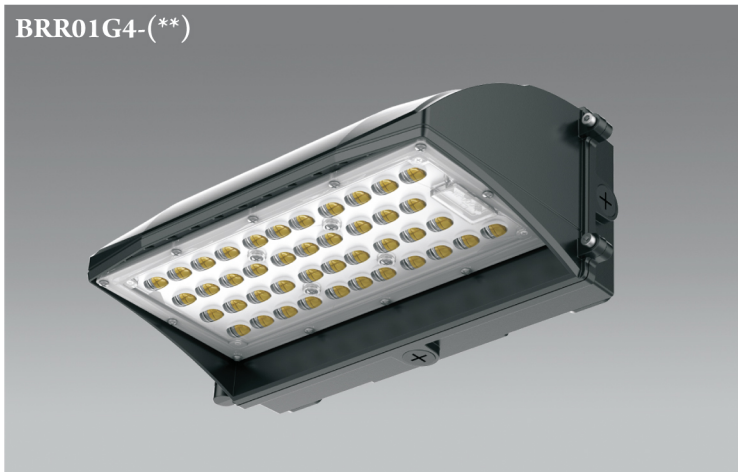


DESCRIPTION:

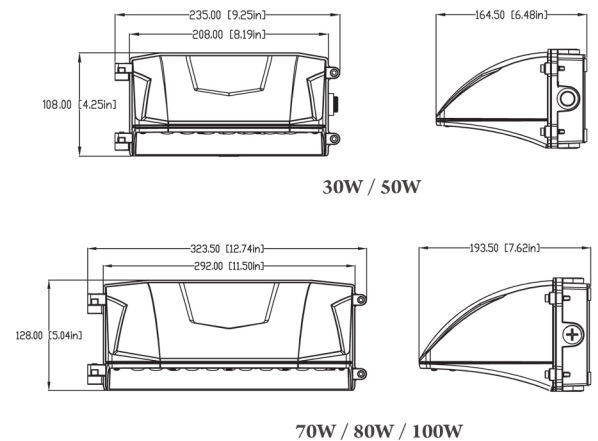
- External wall mounted LED luminaire
- Body made of die-cast aluminium with powder coated finish
- Epoxy cationic electro-coating, upon phospho-chromate treatment, Uv-stabilising primer.
- Reflector made of fiber in white finish with heat zing
- Diffuser made of clear glass
- High corrosion resistance capability.
- Silicon rubber gasket for dust and waterproof
- High efficient SMD LED
- Stainless steel alloy screws
- Power supply: 240V/60Hz
- Heat resistant and solid conduct wiring
- Ideal for exterior lighting
- European standard of EN 60598



BRR01G4-(**)



DIAMENSION

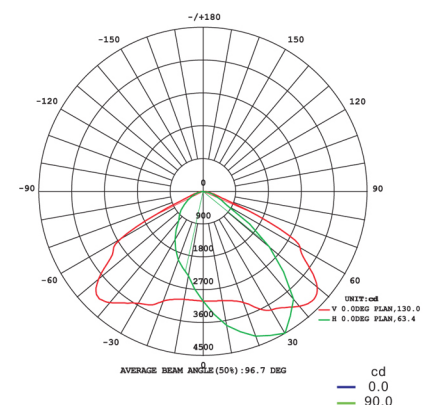


SENSOR OPTIONAL



Model:	BRR01G4-30	BRR01G4-50	BRR01G4-70	BRR01G4-80	BRR01G4-100
Power	30W LED	50W LED	70W LED	80W LED	100W LED
LED Type	SMD3030	SMD3030	SMD3030	SMD3030	SMD3030
Input Voltage	AC100-277V/50Hz	AC100-277V/50Hz	AC100-277V/50Hz	AC100-277V/50Hz	AC100-277V/50Hz
CRI	≥80	≥80	≥80	≥80	≥80
Luminous Flux	140LM/W	140LM/W	140LM/W	140LM/W	140LM/W
Color Temp.	2700-6500K	2700-6500K	2700-6500K	2700-6500K	2700-6500K
Power Factor	>0.9	>0.9	>0.9	>0.9	>0.9
Temp. in Working	-20°C +50°C	-20°C +50°C	-20°C +50°C	-20°C +50°C	-20°C +50°C
Beam Angle	130x60	130x60	130x60	130x60	130x60
Dimension	235x108x164.50mm	235x108x164.50mm	323.50x128x193.50mm	323.50x128x193.50mm	323.50x128x193.50mm
Life Span	45000 - 50000Hrs				

PHOTOMETRIC DATA

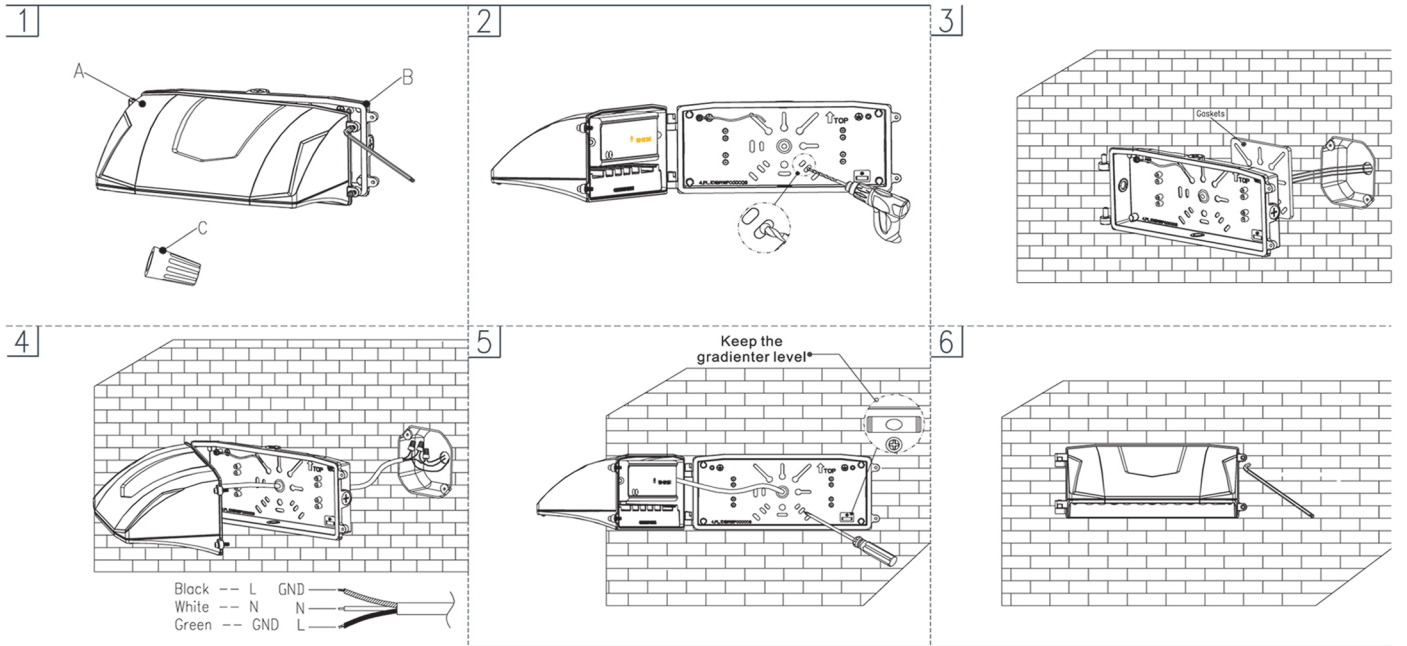


BRR01G4-(**)

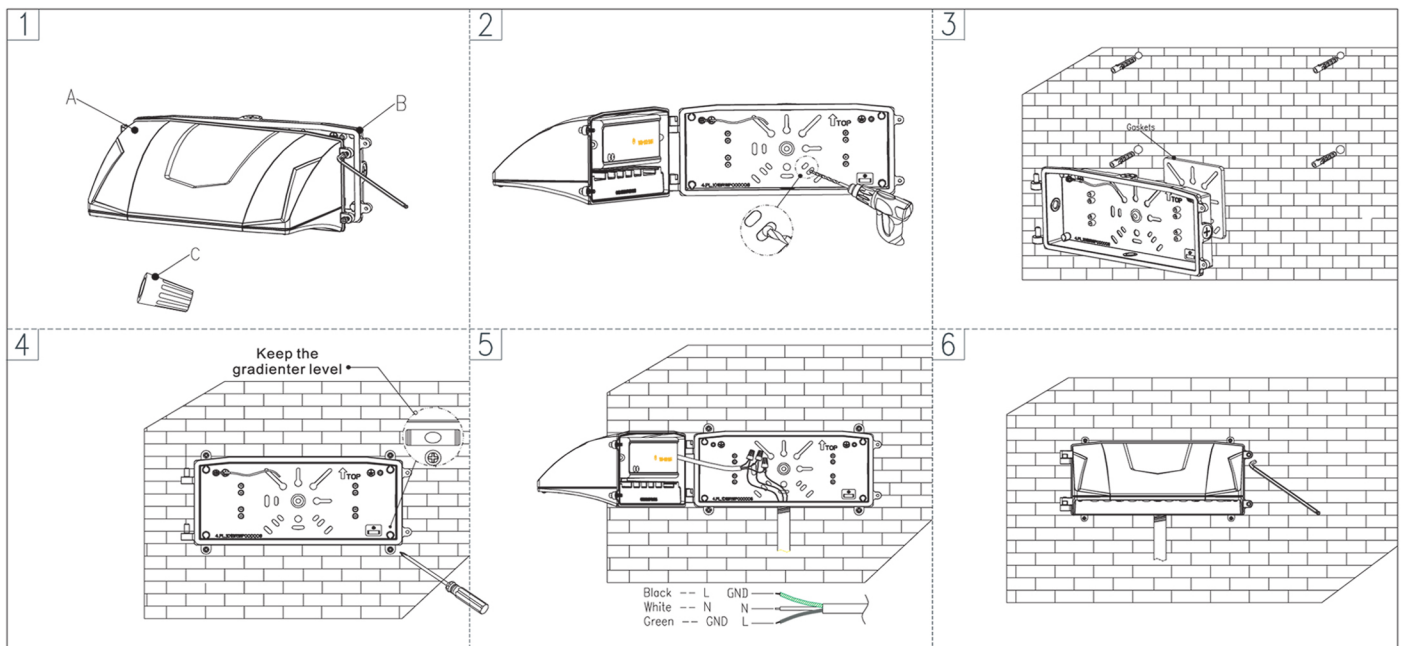


INSTALLATION

P1-Mounting with J-box



P2-Mounting with a 1/2" conduit at the bottom



PACKING SIZE

Item	Box			Carton		
	Measurement(mm)	Gross weight	Pcs/box	Measurement(mm)	Gross weight	Pcs/box
BRR01G4-30/50	L260*W158*H220	2.2kg	1	L500*W270*H460	13.5kg	6
BRR01G4-70/80/100	L335*W175*H246	3.9kg	1	L370*W345*H260	8.62kg	2