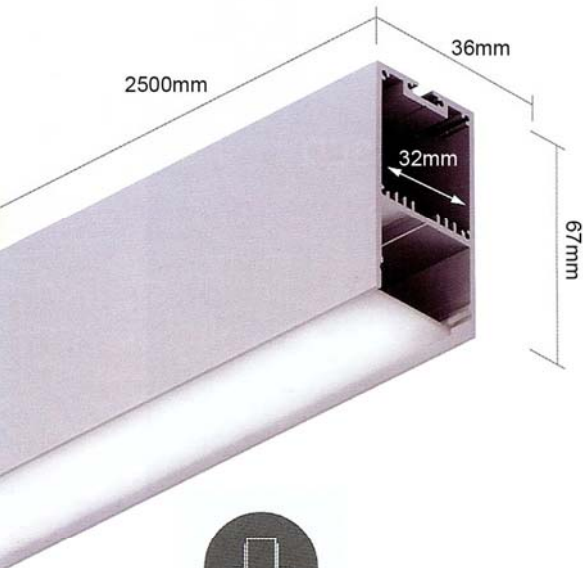
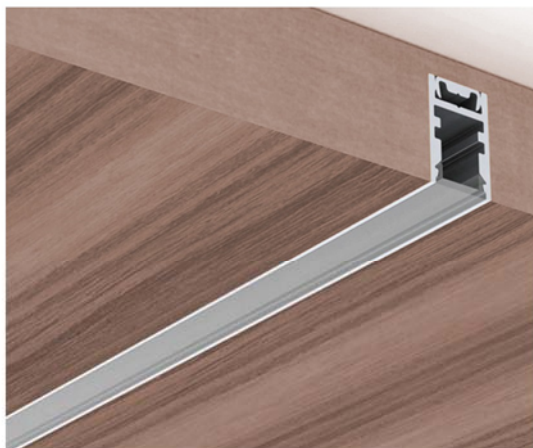


LS 3667



DESCRIPTION:

- Extruded aluminium housing.
- Polycarbonate / acrylic diffuser.
- Aluminium fixing accessories.
- Polyester fiber end caps.
- Heat resistant internal wiring.
- High quality SMD Epistar LED chip.



STANDARD ACCESSORIES



ALTERNATIVE ACCESSORIES



Type : 5050 / 2835 / 3528
 Power : 24W/M
 Voltage : 24V
 Colour Temp. : 3000K - 6500K
 CRI : >80
 Working Temp. : (-)20°C (+)50°C
 Life Span : 50000 Hours



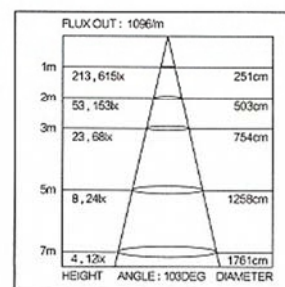
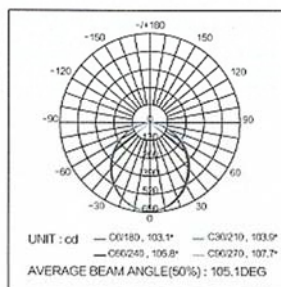
Perforated mesh
 Code:NT6001



Perforated mesh
 Code:CN6002

PHOTOMETRIC DIAGRAM

1.2



For your reference only