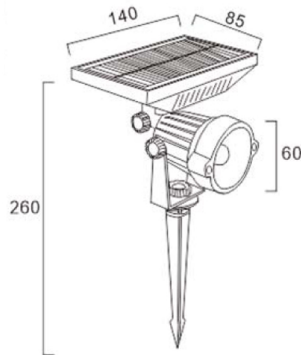


SOLAR POWERED SPIKE LIGHT

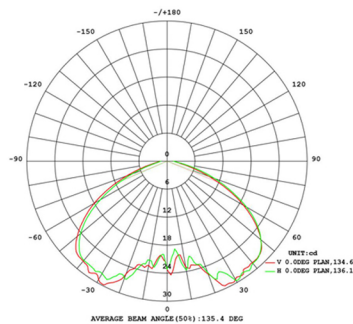


DESCRIPTION:

- Solar powered garden spike luminaire,
- Body made of die-cast aluminium with electro-coating
- Static paint in matt finish.
- Tempered clear glass diffuser
- Reflector made of anodized aluminium
- High corrosion resistance capability.
- Silicon gasket for dust and waterproofing.
- Stainless steel alloy screws
- Power supply: 220V-240V/50Hz
- Heat resistant wiring
- Ideal for external Garden and Elevation lighting
- European standard of EN 60598

PHOTOMETRIC DATA

Height	Ravg, Rmax	Angle:135.40deg	Diameter
0.5m	0.1899, 0.98501x		243.83cm
1m	0.4748, 2.4621x		487.65cm
1.5m	0.2110, 10.941x		731.68cm
2m	1.187, 6.1561x		979.30cm
2.5m	0.7596, 3.9401x		1219.13cm
3m	0.5275, 2.7361x		1462.95cm
3.5m	0.3876, 2.0101x		1706.78cm
4m	0.2947, 1.5391x		1950.60cm
4.5m	0.2345, 1.2161x		2194.43cm
5m	0.1899, 0.98501x		2439.25cm



Automatic charging during the day



Automatic light at night



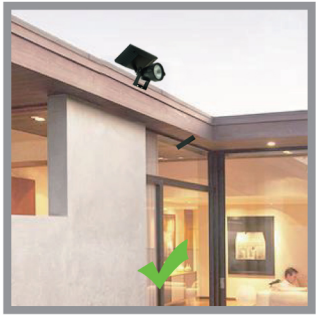
RGB

Product Code	PD65S01	PD65S01-RGB
Power	5W	5W
LED Type	COB	COB
Input Voltage	DC 3.7V	DC 3.7V
Power Factor	90	90
Color Temperature	2700K - 6500K	RGB
Color Rendering Index	>80	>80
Luminous Flux	500LM	300-400LM
Beam Angle	45°	45°
Working Temperature	-30° + 40°	-30° + 40°
Solar Panel Size	79.5x136x4mm	79.5x136x4mm
Solar Panel Power	6V 1.5W	6V 1.5W
Battery	Lithium / 18650	Lithium / 18650
Battery Capacity	2000mAH	2000mAH
Charging Time	4-5Hrs	4-5Hrs
Lighting Time	8-12Hrs	8-12Hrs
Life Span	20000-30000Hrs	



Installation Guide

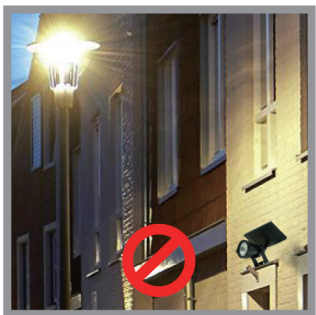
So to have the maximum product performance and avoid the unnecessary environment disturbance. Please beware of the following conditions during product



1 The recommended location for installation in direct sunlight. To ensure better charging efficiency



2 Recommend direct sunlight solar panels. Try to avoid shadows covering



3 Try to avoid installing under other strong light

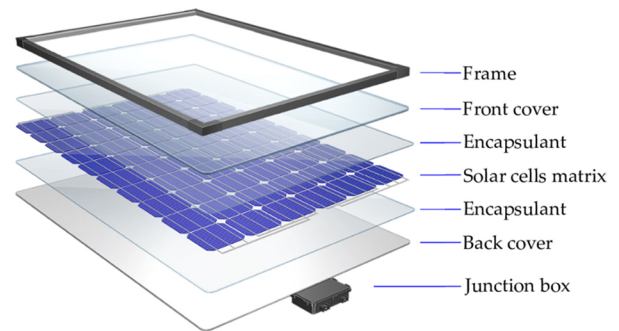


4 Multiple orderly installations can better beautify the environment

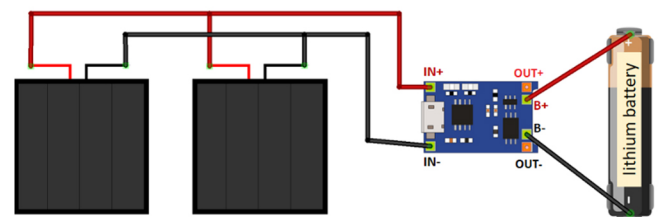
Note:

1. Before the first use, please put the lamp under the sunshine(solar panel towards to direct sunlight) 7-8 hours for battery charging.
2. In order to collect more solar energy, please install the lamp where can get more sunshine, make the solar panel face to direct sunlight as much as possible.
3. When lamp is blink or light is not work when you press the switch button at night, it means battery is low capacity and needs battery charging. solar charging in the daylight.The lamp would not work in daylight, if you want test it in daylight, please test it in a dark room or cover the solar panel before testing.

Solar Panel Structure



Solar Panel



1. The solar panels output between 5V to 6V with direct sun.
2. The solar panels charge the lithium battery through the 18650 battery charger module. This module is responsible for charging the battery and prevent overcharging.
3. Charging time 4 to 5 hours, Lighting time 8 to 12 hours.



Solar Panel



Adjustable Bracket



Tempered glass and aluminium reflector