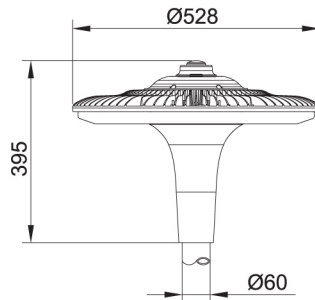


# BST-2800-L



## DESCRIPTION:

External lighting decorative Pole,  
 Pole made of extruded aluminium in striped surface finish / galvanized pole available on request.  
 Lantern made of die-cast aluminium in powder coated surface finish,  
 Epoxy cationic electro-coating, upon phosphochromate treatment, Uv-stabilising primer.  
 Diffuser made of vandal resistant, V2 self extinguishing, Uv-stabilised polycarbonate,  
 Reflector made of high quality anodized aluminium.  
 High corrosion resistant capability  
 silicon rubber gasket for dust & waterproof  
 Stainless steel alloy screws  
 Power supply: 240V/50Hz  
 -Heat resistant and solid conduct wiring  
 -Ideal for external Garden and Area lighting  
 -European standard of EN 60598

## POLE:

Details of terminal block, inspection door (P-acc-11), Base plate, foundation (P-acc-11a)

Item No:	BST-2800-L30	BST-2800-L40	BST-2800-L60	BST-2800-L80
LED Quantity	30pcs	30pcs	54pcs	54pcs
Rated Power	30W LED	40W LED	60W LED	80W LED
Color Temperature	3000K - 6500K	3000K - 6500K	3000K - 6500K	3000K - 6500K
Efficiency	60/63/70LM/W	60/63/70LM/W	62/65/72LM/W	60/63/70LM/W
Luminous Flux	1800/1890/2100LM	2400/2520/2800LM	3720/3900/4320LM	4800/5040/5600LM
Power Factor	>0.9%	>0.9%	>0.9%	>0.9%
CRI	>80	>80	>80	>80
Installation Height	3-4M	3-4M	3-6M	5-7M
Lamp Weight	9.30Kg	9.30Kg	9.38Kg	9.38Kg
Packing Size	540x540x415mm	540x540x415mm	540x540x415mm	540x540x415mm
Protection	IP66	IP66	IP66	IP66
Life Time	50000Hrs			

## Color Selection



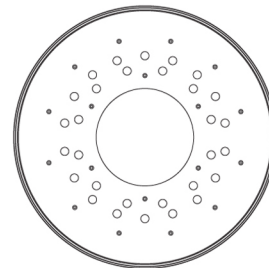
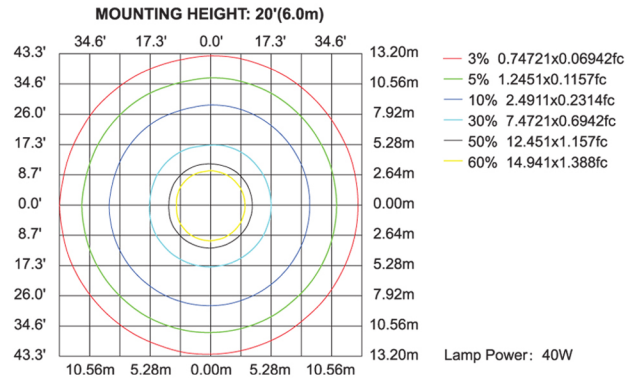
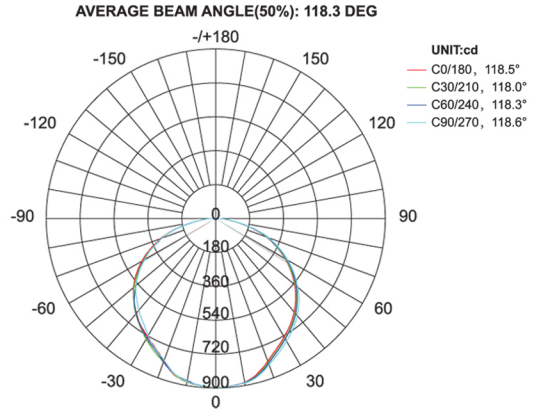
LED Built in Drive



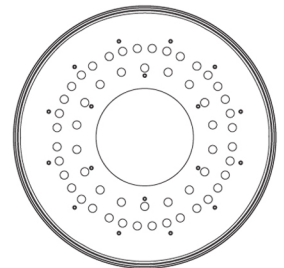
Heat Sink



## Light Distribution Curve



LED Module -1\*



LED Module -2\*

AC100-277V Input Voltage	Hz 50/60 Frequency Range	PF >0.9 Power Factor	<15% THD icon"/> <15% THD	CRI 80 Color Rendering Index	-35~50°C Temperature of Working Condition	10~90% Humidity of Working Condition	>3000h icon"/> >3000h Life Time	IP66 Protection Grade
-----------------------------	-----------------------------	-------------------------	------------------------------	---------------------------------	--	---	------------------------------------	--------------------------

