



LD120PHILI



**DESCRIPTION:**

Pole mounted street lighting lantern  
 Body made of die-cast aluminium with electro polyester powder coating applied after a phosphochromate treatment, resistant to corrosive and saline environments.  
 Reflector made of white fiber glass with builtin LED, Uv- stabilized.  
 Extruded aluminium frame  
 Philips replacable LED module  
 Environmental friendly silicon gasket for protection scale, IP66  
 High quality electronic Drive  
 Power supply AC100-240V/277V, 50/60Hz  
 - Heat resistant wiring  
 - European standard of EN 60598

**HIGH-EFFICACY LED LIGHT SOURCE**



Philips Lumileds 3030 2D  
 Greater than 150lm/W high efficacy, illumination grade LED light source.



Philips Lumileds 5050  
 Greater than 185lm/W high efficacy, illumination grade LED light source.

**HIGH-END LED DRIVER (Two Options)**

**LED power supply**



**+ NON-DIMMABLE**  
 High-end MeanWell XLG Series LED driver, optimal stability, performance and lifespan.



**+ DIMMABLE**  
 High-end programmable Inventronics LED driver, integrate dimming function and surge protection. Provide excellent performance and lifespan.



**Easy Maintenance**  
 Tool-less to open the cover of driver box



**Photocell available**  
 Lamp will Auto turn on and off according to lux difference.



**Surge protection device(10KV)**  
 To provide more reliable guarantee for LED driver, extend the life of the product.

**BROADWAY - UK Ltd.**

# Electrical & Photometric

## ★ 3030 Version

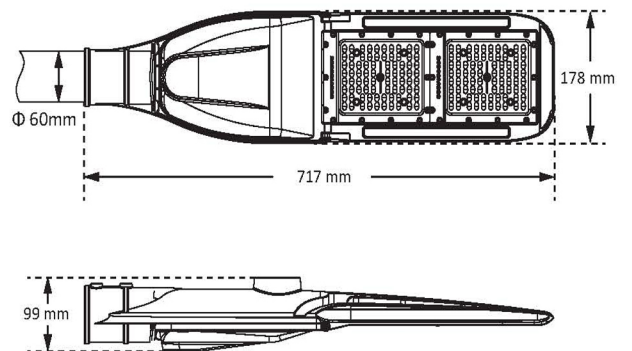
| Series | Model      | LED Qty/ Current | Power | Luminaire efficacy (+/- 5%) | Lumen Output (+/- 5%) | Input Voltage  | Driver Brand                            | LED Brand                       | Light Distributions | CCT (K)                       | Surge Protection Device     | Lifetime (h)          |
|--------|------------|------------------|-------|-----------------------------|-----------------------|--|---|---------------------------------|---------------------|-------------------------------|-----------------------------|-----------------------|
| PHILI  | LD60PHILI  | 80units /116mA   | 60W   | 140 lm /w                   | 8400 lm               | 100-240V /277V<br>AC 50 /60Hz<br><br>DC 12V/24V<br>(Solar Power) | MeanWell<br>Inventronics<br><br>Depower | Philips Lumileds<br><br>3030 2D | Typell, Medium      | 3000*<br>4000<br>5000<br>5700 | 10KV<br><br>(20KV optional) | >100,000<br><br>(L70) |
|        | LD60PHILI  | 160units /58mA   | 60W   | 153 lm /w                   | 9180 lm               |  |   |                                 |                     |                               |                             |                       |
|        | LD70PHILI  | 80units /135mA   | 70W   | 135 lm /w                   | 9450 lm               |  |   |                                 |                     |                               |                             |                       |
|        | LD70PHILI  | 160units /68mA   | 70W   | 153 lm /w                   | 10710 lm              |  |   |                                 |                     |                               |                             |                       |
|        | LD80PHILI  | 112units /112mA  | 80W   | 144 lm /w                   | 11520 lm              |  |   |                                 |                     |                               |                             |                       |
|        | LD80PHILI  | 160units /78mA   | 80W   | 153 lm /w                   | 12240 lm              |  |   |                                 |                     |                               |                             |                       |
|        | LD90PHILI  | 112units /126mA  | 90W   | 140 lm /w                   | 12600 lm              |  |   |                                 |                     |                               |                             |                       |
|        | LD90PHILI  | 160units /88mA   | 90W   | 150 lm /w                   | 13500 lm              |  |   |                                 |                     |                               |                             |                       |
|        | LD100PHILI | 112units /140mA  | 100W  | 137 lm /w                   | 13700 lm              |  |   |                                 |                     |                               |                             |                       |
|        | LD100PHILI | 160units /98mA   | 100W  | 146 lm /w                   | 14600 lm              |  |   |                                 |                     |                               |                             |                       |
|        | LD110PHILI | 160units /110mA  | 110W  | 143 lm /w                   | 15730 lm              |  |   |                                 |                     |                               |                             |                       |
|        | LD120PHILI | 160units /118mA  | 120W  | 140 lm /w                   | 16800 lm              |  |   |                                 |                     |                               |                             |                       |
|        | LD130PHILI | 160units /126mA  | 130W  | 136 lm /w                   | 17680 lm              |  |   |                                 |                     |                               |                             |                       |

\*Luminous Efficacy of 3000K is 5% lower than other CCTs.

## ★ 5050 Version

| Series | Model      | LED Qty/ Current | Power | Luminaire efficacy (+/- 5%) | Lumen Output (+/- 5%) | Input Voltage  | Driver Brand                            | LED Brand                    | Light Distributions         | CCT (K)                       | Surge Protection Device     | Lifetime (h)          |
|--------|------------|------------------|-------|-----------------------------|-----------------------|--|---|------------------------------|-----------------------------|-------------------------------|-----------------------------|-----------------------|
| PHILI  | LD60PHILI  | 32units /76mA    | 60W   | 153 lm /w                   | 9180 lm               | 100-240V /277V<br>AC 50 /60Hz<br><br>DC 12V/24V<br>(Solar Power) | MeanWell<br>Inventronics<br><br>Depower | Philips Lumileds<br><br>5050 | Typell, Medium<br><br>(BLS) | 3000*<br>4000<br>5000<br>5700 | 10KV<br><br>(20KV optional) | >100,000<br><br>(L70) |
|        | LD60PHILI  | 56units /44mA    | 60W   | 163 lm /w                   | 9780 lm               |  |   |                              |                             |                               |                             |                       |
|        | LD70PHILI  | 32units /89mA    | 70W   | 150 lm /w                   | 10500 lm              |  |   |                              |                             |                               |                             |                       |
|        | LD70PHILI  | 56units /51mA    | 70W   | 160 lm /w                   | 11200 lm              |  |   |                              |                             |                               |                             |                       |
|        | LD80PHILI  | 44units /75mA    | 80W   | 156 lm /w                   | 12480 lm              |  |   |                              |                             |                               |                             |                       |
|        | LD80PHILI  | 56units /59mA    | 80W   | 160 lm /w                   | 12800 lm              |  |   |                              |                             |                               |                             |                       |
|        | LD90PHILI  | 44units /85mA    | 90W   | 153 lm /w                   | 13770 lm              |  |   |                              |                             |                               |                             |                       |
|        | LD90PHILI  | 56units /66mA    | 90W   | 157 lm /w                   | 14130 lm              |  |   |                              |                             |                               |                             |                       |
|        | LD100PHILI | 44units /94mA    | 100W  | 150 lm /w                   | 15000 lm              |  |   |                              |                             |                               |                             |                       |
|        | LD100PHILI | 56units /74mA    | 100W  | 154 lm /w                   | 15400 lm              |  |   |                              |                             |                               |                             |                       |
|        | LD110PHILI | 56units /82mA    | 110W  | 155 lm /w                   | 17050 lm              |  |   |                              |                             |                               |                             |                       |
|        | LD120PHILI | 56units /90mA    | 120W  | 152 lm /w                   | 18240 lm              |  |   |                              |                             |                               |                             |                       |
|        | LD130PHILI | 56units /97mA    | 130W  | 150 lm /w                   | 19500 lm              |  |   |                              |                             |                               |                             |                       |

\*Luminous Efficacy of 3000K is 5% lower than other CCTs.



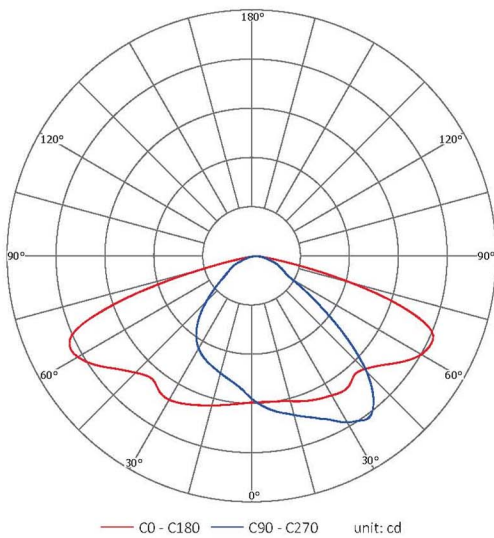
## Working Environment & Packing

| Model      | Product Dimensions (mm) | Carton Size (mm) | N.W (kg) | G.W (kg) | Working Environment            | Storage Temperature | Rating                  | CRI | Power Factor | Power Efficiency | Material                                     | Pole Diameter (mm) |
|------------|-------------------------|------------------|----------|----------|--------------------------------|---------------------|-------------------------|-----|--------------|------------------|--|--------------------|
| LD60PHILI  | 717*178*99              | 735*195*120      | 3.62     | 4.20     | -40 °C ~ +50 °C<br>10% ~ 90%RH | -40 °C ~ +50 °C     | Class I<br>IP66<br>IK10 | >70 | >0.95        | >90%             | Housing:<br>Die-cast aluminum<br>Lens:<br>PC | 60                 |
| LD70PHILI  | 717*178*99              | 735*195*120      | 3.62     | 4.20     |                                |                     |                         |     |              |                  |  |                    |
| LD80PHILI  | 717*178*99              | 735*195*120      | 3.62     | 4.20     |                                |                     |                         |     |              |                  |  |                    |
| LD90PHILI  | 717*178*99              | 735*195*120      | 3.62     | 4.20     |                                |                     |                         |     |              |                  |  |                    |
| LD100PHILI | 717*178*99              | 735*195*120      | 3.62     | 4.20     |                                |                     |                         |     |              |                  |  |                    |
| LD110PHILI | 717*178*99              | 735*195*120      | 3.84     | 4.42     |                                |                     |                         |     |              |                  |  |                    |
| LD120PHILI | 717*178*99              | 735*195*120      | 3.84     | 4.42     |                                |                     |                         |     |              |                  |  |                    |
| LD130PHILI | 717*178*99              | 735*195*120      | 3.84     | 4.42     |                                |                     |                         |     |              |                  |  |                    |

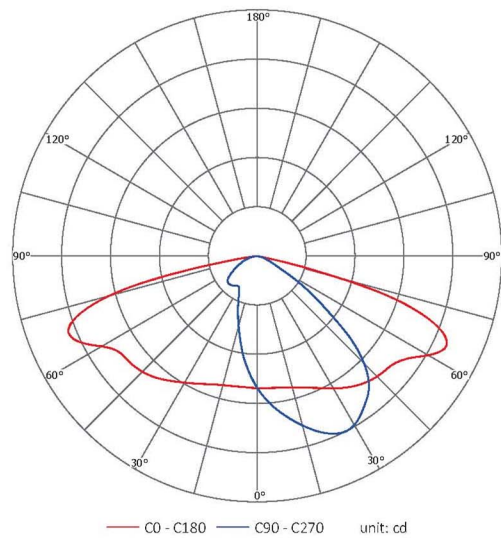
Note: Above data of weight are all typical values.

## Light Distribution Diagram

3030 Version TYPE II



5050 Version TYPE II BLS



## Optional accessories

