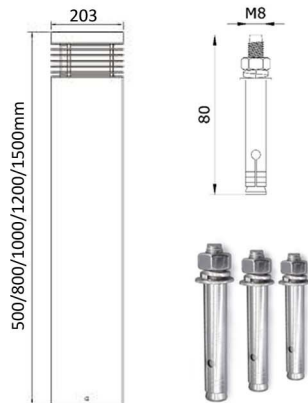




Foundation Bolt



**DESCRIPTION:**

- External garden or walkway Bollard luminaire,
- Body made of solid stainless steel in brushed finish
- Surface highly treated electric polish for corrosion resistant
- Prismatic or opal polycarbonated diffuser
- Maintaining better glare free lighting distribution
- High corrosion resistant capability
- Silicon rubber gasket for dust & waterproof
- Stainless steel alloy screws
- Power supply: 90V-260V/50Hz
- Heat resistant and solid conduct wiring
- Ceramic lamp holder
- Ideal for external Garden and Area lighting
- European standard of EN 60598

Model No:	SS20150			
Power	12W LED	15W LED	22W LED	25W LED
LED Type	E27	E27	E27	E27
Voltage	AC90-260V	AC90-260V	AC90-260V	AC90-260V
Luminous Flux	100-110LM/W	100-110LM/W	100-110LM/W	100-110LM/W
Color Temperature	3000 - 6500K	3000 - 6500K	3000 - 6500K	3000 - 6500K
CRI	>80	>80	>80	>80
Power Factor	>0.95	>0.95	>0.95	>0.95
Working Temp	-30 ~ +50°C	-30 ~ +50°C	-30 ~ +50°C	-30 ~ +50°C
Protection	IP65	IP65	IP65	IP65
Life Span	50000Hrs			

COB LED Built-in version available on request, 35W Max.

Available:



Custommade size available on request

