

### DESCRIPTION:

Recessed mounted canopy light, ideal for Petrol station lighting  
Body made of die-cast aluminium with polyester powder coated finish.

Epoxy cationic electro-coating, upon phospho-chromate treatment, Uv-stabilising primer.

Diffuser made of tempered glass

High corrosion resistant capability

silicon rubber gasket for dust & waterproof

High quality LED chip by Philips SMD3030

Stainless steel alloy screws

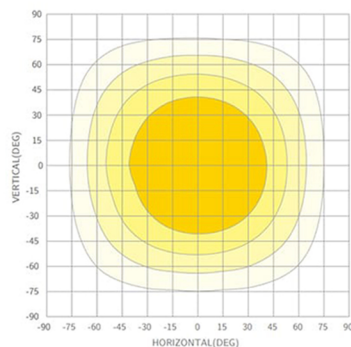
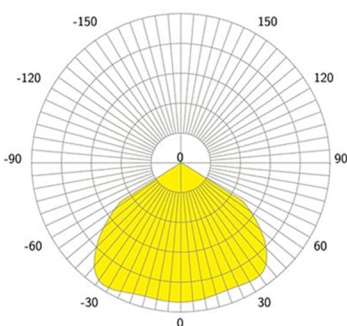
Power supply: 240V/50Hz

- Heat resistant and solid conduct wiring

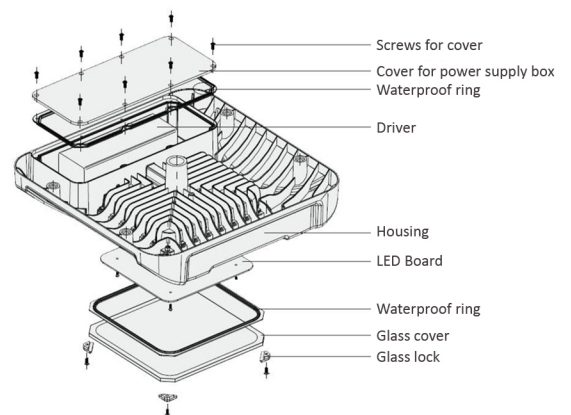
- Ideal for all type of external lighting

- European standard of EN 60598

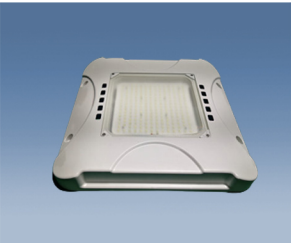
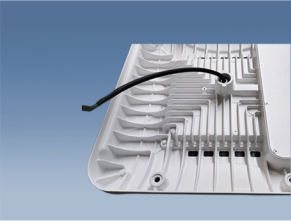
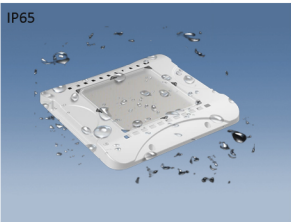
### Photometric Data



### Structure



Item No:	BR-CP100D	BR-CP150D	BR-CP200D	BR-CP240D
Rated Power	100W	150W	200W	240W
LED Qty	140pcs	210pcs	280pcs	350pcs
LED Type	Philips SMD3030	Philips SMD3030	Philips SMD3030	Philips SMD3030
Input Voltage	AC100-265V / 50-60Hz	AC100-265V / 50-60Hz	AC100-265V / 50-60Hz	AC100-265V / 50-60Hz
Power Factor	>0.95	>0.95	>0.95	>0.95
THD	<20%	<20%	<20%	<20%
Efficiency	>92%	>92%	>92%	>92%
CRI	>80	>80	>80	>80
Color Temperature	2700K - 6500K	2700K - 6500K	2700K - 6500K	2700K - 6500K
Luminous Flux	140-160lm/W	140-160lm/W	140-160lm/W	140-160lm/W
Beam Angle	120°	120°	120°	120°
Temp. in Working	-35°C +65°C	-35°C +65°C	-35°C +65°C	-35°C +65°C
Driver	Meanwell	Meanwell	Meanwell	Meanwell
Protection	IP65, IK10	IP65, IK10	IP65, IK10	IP65, IK10
Size	420x420x52mm	420x420x52mm	540x540x52mm	540x540x52mm
Life Time	70000Hrs			



## Installation

### Ceiling

1. Fix the safety rope on the back of fixture by supplied screw PWM4\*8.

2. Drill 5 holes on the ceiling based on the diameter of supplied plastic anchor as picture, to make them match the holes on the fixture.

3. Screw the anchors to holes on ceiling respectively.

4. Screw the safety rope. And fix the fixture to the ceiling with tapping screws.

### Pole-Pendant

5. Connecting the wires respectively:  
Black-L, White-N, Green-Earth, Purple-Dim+, Gray-Dim-.

1. Connect the wiring to the local power supply in the 3/4" NPT Stem.

2. Screw the fixture to the 3/4" NPT Stem.