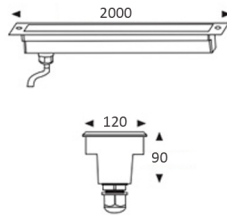


DESCRIPTION:

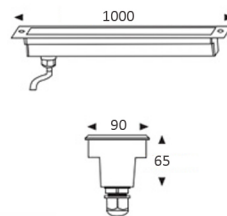
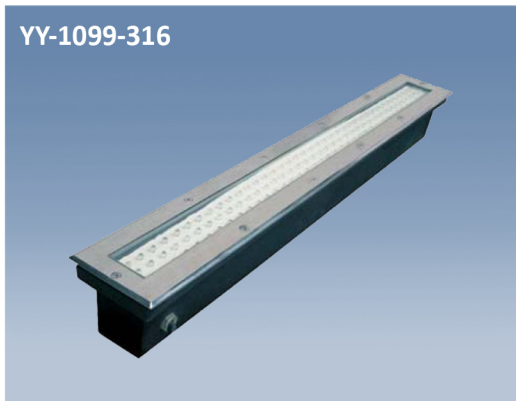
Recessed floor mounted LED Panel light
 Body made of die-cast aluminium, RA19007
 Grey powder coated, T=50-55mm
 Solid stainless steel frame 316" Grade
 Tempered clear / frosted glass 6mm thickness
 All-in-one optical lens, efficiency>85%
 Waterproof cable gland, IP68 PG-9 copper and nickel coated
 Waterproof seal mounting shaped double silicon seal
 Constant current output Drive
 Single color LED=1- circuit output
 RGB 3in 1 LED=3 circuit output
 Operating temperature 50°C-25°C
 Mounting sleeve: Uv-stabilised polycarbonate/powder coated aluminium.



YY-2099-316



YY-1099-316



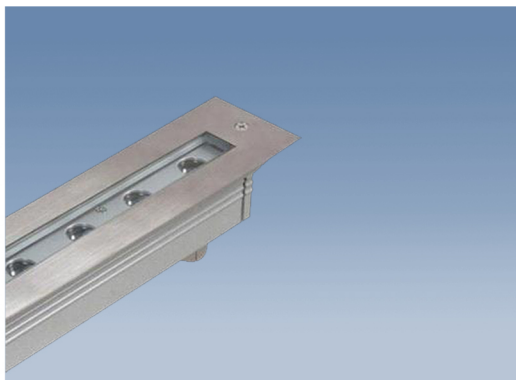
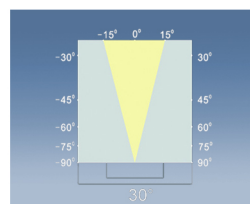
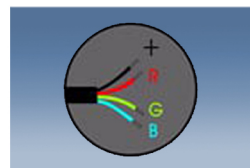
Product Code	YY-2099-316	YY-1099-316
Power	20x1W = 20W LED 20x2W = 40W LED	12x1W = 12W LED 12x2W = 24W LED
LED Type	HP / SMD LED	HP / SMD LED
Input Voltage	DC12V / 24V	DC12V / 24V
Beam Angle	25-120°	25-120°
Temperature	-25 +50	-25 +50
Dimension	2000*120*90mm	1000*90*65mm
Project Distance	5-15m	5-15m
Life Span	50000Hrs	

Remarks:

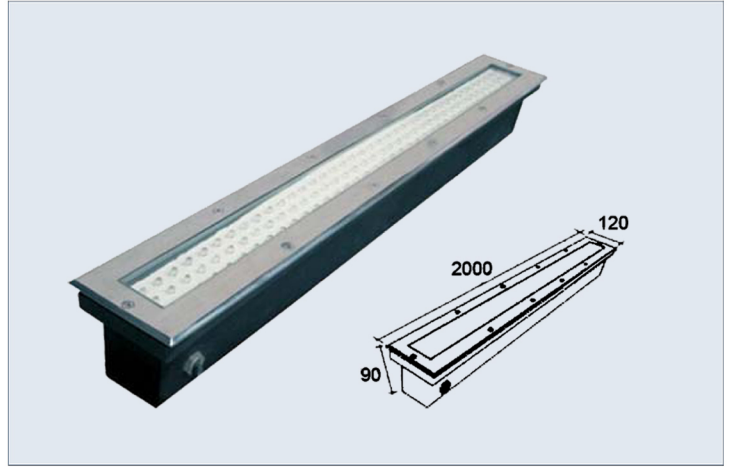
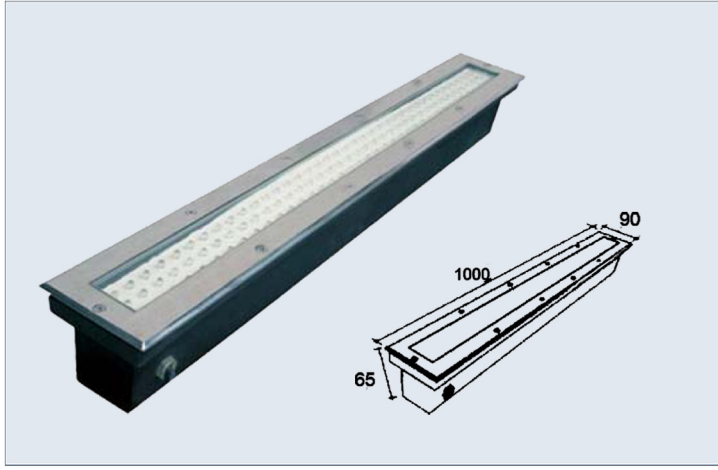
- (1) LED driver is customized when the circumstance of working temperature is below 0°C
- (2) Use only switching power supply or coiled transformer for 24VDC power input
- (3) Customized 316" stainless steel frame available on request.

Power Cable:

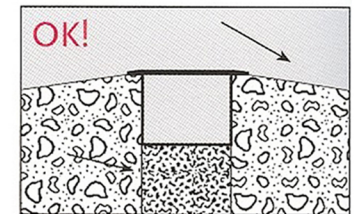
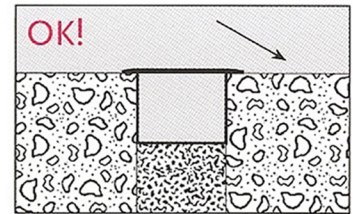
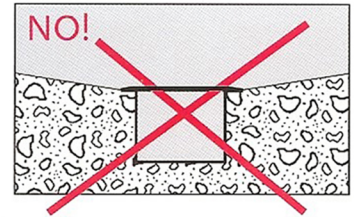
H05RN-F 2x1.0mm L=0.5m (for Single color)
 H05RN-F 4x0.75mm L=0.5m (for RGB)



TECHNICAL DATA:



Product Code	YY-1099-316	YY-2099-316
LED Type	HP/SMD LED	HP/SMD LED
Product Size	1000mm	2000mm
Rated Power	12W / 24W	20W / 40W
Input Voltage	12V/24V DC	12V/24V DC
Frequency Range	50Hz-60Hz	50Hz-60Hz
Power Factor	>0.9	>0.9
THD	<20%	<20%
Color Temperature	2700K-6500K	2700K-6500K
Color Rendering Index	>80	>80
Mini Luminous Flux	850LM	1600LM
Temperature in Working Condition	(-) 20°C— (+) 50°C	(-) 20°C— (+) 50°C
Humidity of Working Condition	<85%	<85%
Life	40000Hrs-50000Hrs	40000Hrs-50000Hrs
Protection Grade	IP67	IP67
N.W.	2.4Kg	3.5Kg
G.W.	2.7Kg	3.9Kg
Packing size (mm)	0.33m³ (20pcs/ctn)	0.1m³ (4pcs/ctn)



Luminaire parts list

1.)Broadway YY-2099-316 20W HP LED DC24V

