

FEATURES:

Recessed mounted 60x60 LED Backlit luminaire.

Body

Housing and frame made of extruded aluminium white
And natural aluminium finish.

Diffuser

Uv-stabilized, anti yellowing fiber opal poly-carbonate
Diffuser with thermal shock resistant.

Others

- Adjustable flip-out mounting bracket for easy installation.
- Fully enclosed design suitable for plaster troffer frames.
- Dimmable Dalli / TRIAC 0 - 10V Available on request.
- Heat resistant and solid conductor terminal connector
- Flickering-free LED Driver: AC120-277V, 50-60Hz
- Hygiene & Air Purity Version M73 (600mm × 600mm)
- Suitable for use in HACCP, IFS, BRC Global Standard
Food certified facilities, clinics, laboratories, healthcare, and
Industrial areas, damp environments and cleanrooms
- European standard of EN 60598
- Certified cleanroom suitability – DIN EN ISO 14644-1
Class 1 (Fraunhofer Institute)
- Compliant with EC GMP Guide – Classes A–D



BX5-6060



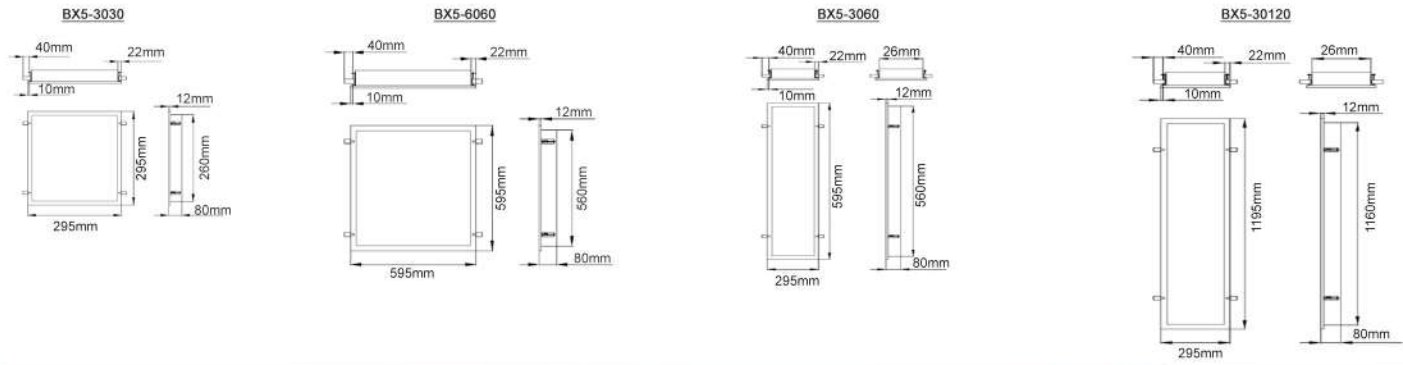
BX5-30120



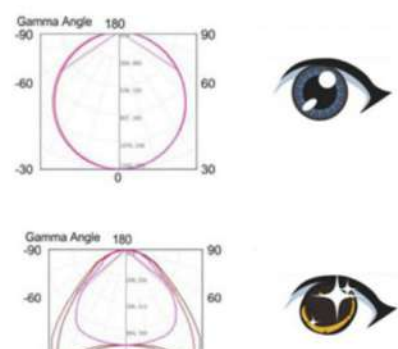
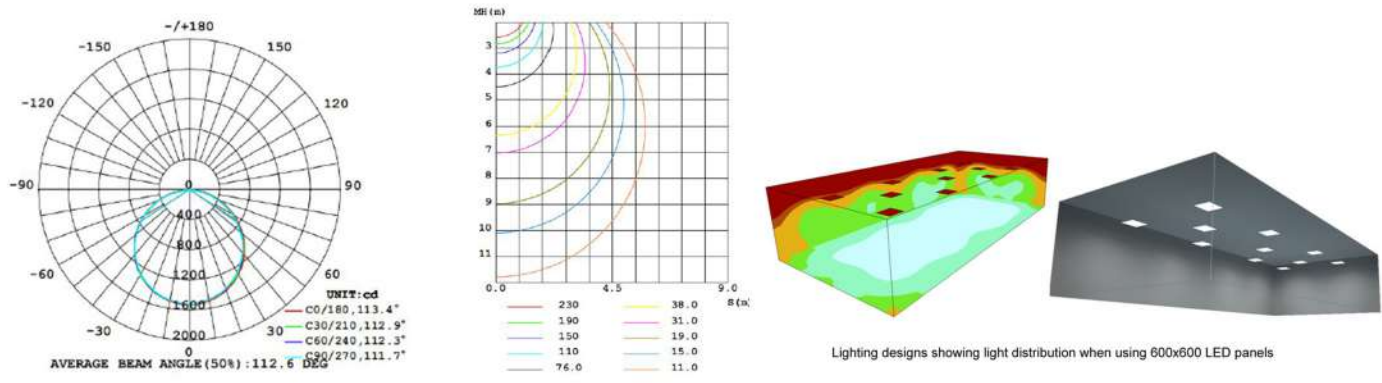
Model No.	BX5-3030	BX5-3060	BX5-6060	BX5-30120
Type of LED	PHILIPS SMD2835	PHILIPS SMD2835	PHILIPS SMD2835	PHILIPS SMD2835
Power	24W	24W/30W	36W/40W/44W/48W/50W	44W/48W/50W/60W
Input Voltage	AC120-277/50-60Hz	AC120-277/50-60Hz	AC120-277/50-60Hz	AC120-277/50-60Hz
Power Factor	>95	>95	>95	>95
Color Temp.	3000K - 6500K	3000K - 6500K	3000K - 6500K	3000K - 6500K
CRI	≥80	≥80	≥80	≥80
Beam Angle	120°	120°	120°	120°
Luminous Flux	110-120LM/W	110-120LM/W	110-120LM/W	110-120LM/W
Temp. in Working	-15°C +50°C	-15°C +50°C	-15°C +50°C	-15°C +50°C
Driver	Isolated	Isolated	Isolated	Isolated
Protection	IP65	IP65	IP65	IP65
Size	295x295x80mm	295x595x80mm	595x595x80mm	295x1195x80mm
Life Span			50000Hrs	



Dimension



Photometric Data



Mounting Clip for Aluminium Dampa Ceiling (Order Code: RD10)

